

**Prizer-Painter Stove Works
Technical Bulletin**

Date: February 2023

No: B-002

Model(s) All Big Chill Models

Issue Big Chill Serial Plate Locations

Action Serial plate locations for all refrigeration, cooking, and ventilation product.

30" Bottom Freezer Refrigerator

36" Bottom Freezer Refrigerator



Open refrigerator door. The serial plate is on the top cabinet breaker strip.



Open refrigerator door serial plate is inside left wall of refrigerator or pull-out refrigerator full length deli drawer. The serial plate is located under the drawer

**Prizer-Painter Stove Works
Technical Bulletin**

Date: February 2023

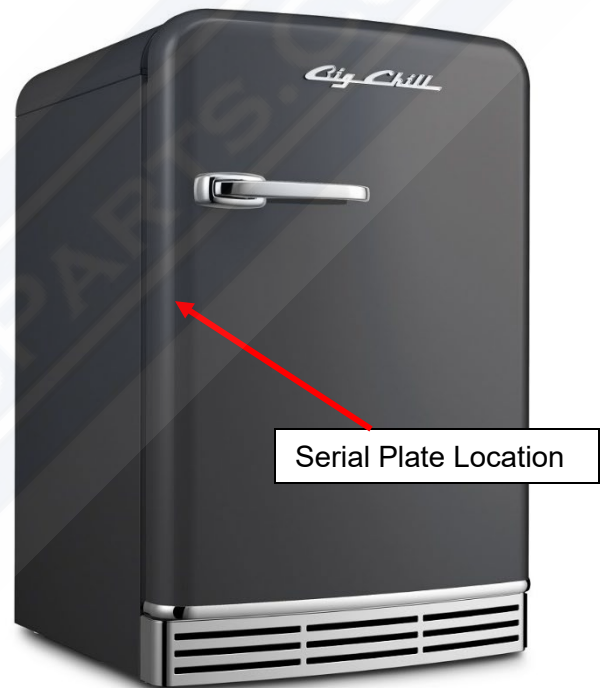
No: B-002

Top Freezer Refrigerator



Open refrigerator door. The serial plate is on the left side interior wall.

Beverage Refrigerator



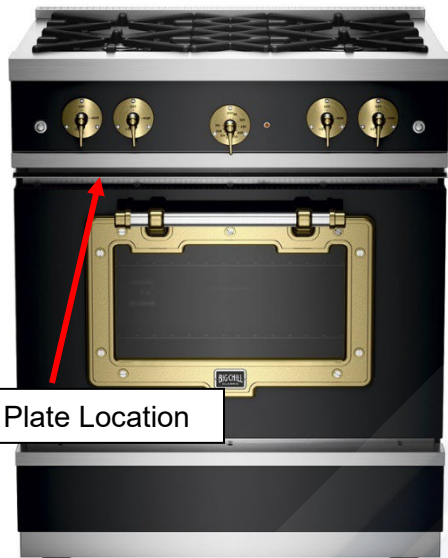
Open refrigerator door. The serial plate is on the left side interior wall.

**Prizer-Painter Stove Works
Technical Bulletin**

Date: February 2023

No: B-002

Sealed Burner Range



Serial Plate Location

Serial Plate is located on the underside of control console on sealed burner range models.

Induction Top Range
Induction Range



Serial Plate Location

Serial Plate is located on the underside of control console on Induction range models.

Prizer-Painter Stove Works Technical Bulletin

Date: February 2023

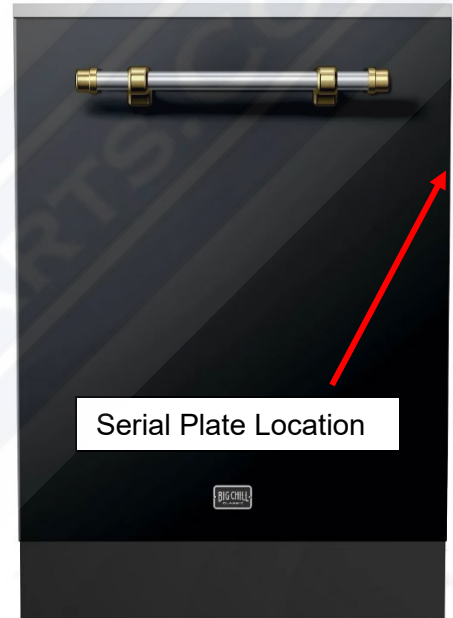
No: B-002

Electric Wall Oven



Serial Plate is located on the underside of control console on wall oven models or behind control console on left side wall.

Dishwasher



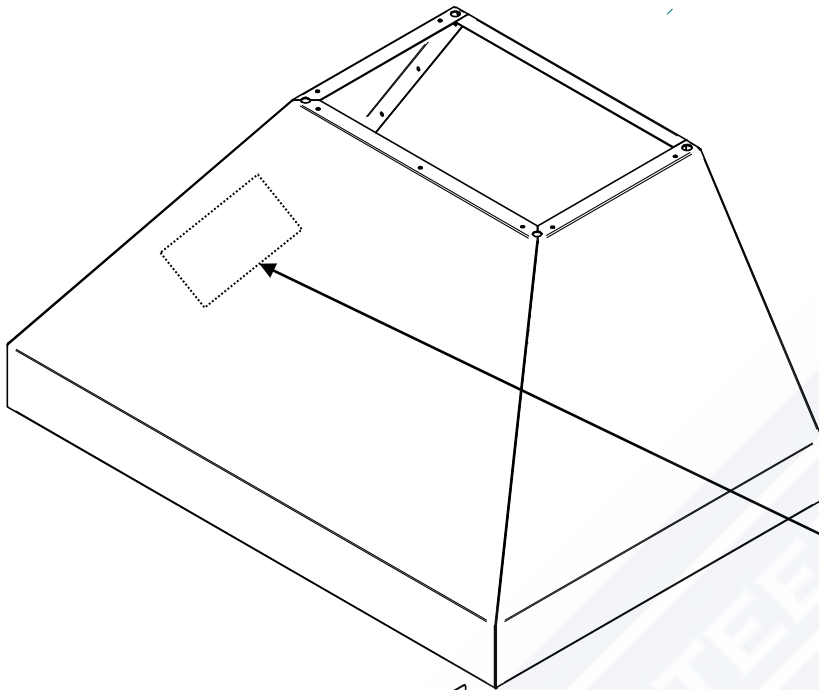
Serial Plate is located on the right-side door frame on dishwasher models.

Prizer-Painter Stove Works Technical Bulletin

Date: February 2023

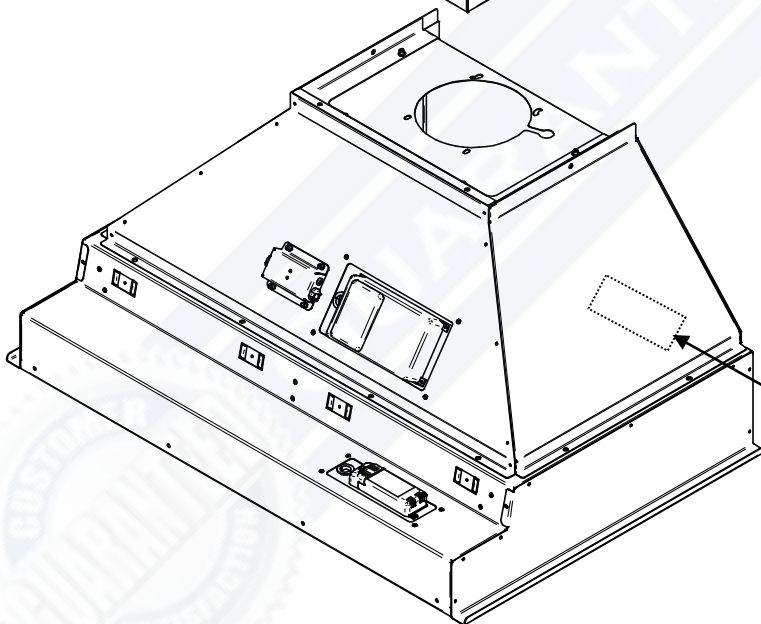
No: B-002

Vent Hood & Liner



The serial plate for the vent hood is located inside the hood on left side wall. Remove inner filter shield to locate it.

Serial Plate Location



The serial plate for the vent liner is located inside the liner behind baffle filters on inner filter shield.

Serial Plate Location